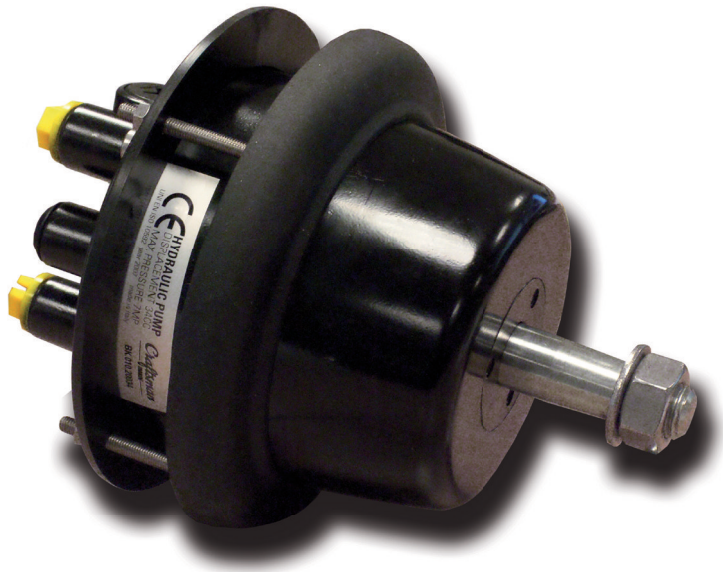


HYDRAULIC STEERING SYSTEM

STEERING PUMPS



Craftsman
MARINE

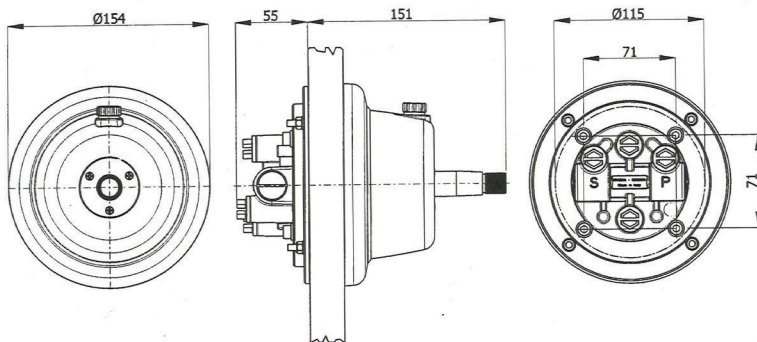


Features pumps

- Ball bearing piston race
- Integral relief valve
- 3/4" conical stainless steel
- Built-in lock valve
- Half flush mounted

Accessories

Also available all required hose connections, hydraulic oil, external filling kit, reinforced flexible hose and stainless steel steering wheel with black padded rim (325, 350 and 400mm)



Article code	Displacement	Pistons	Weight Kg	P. max Bar
BK.010.20020	20	5	4,6	50
BK.010.20028	28	7	4,8	70
BK.010.20034	34	7	4,8	70
BK.010.20039	39	7	4,8	70