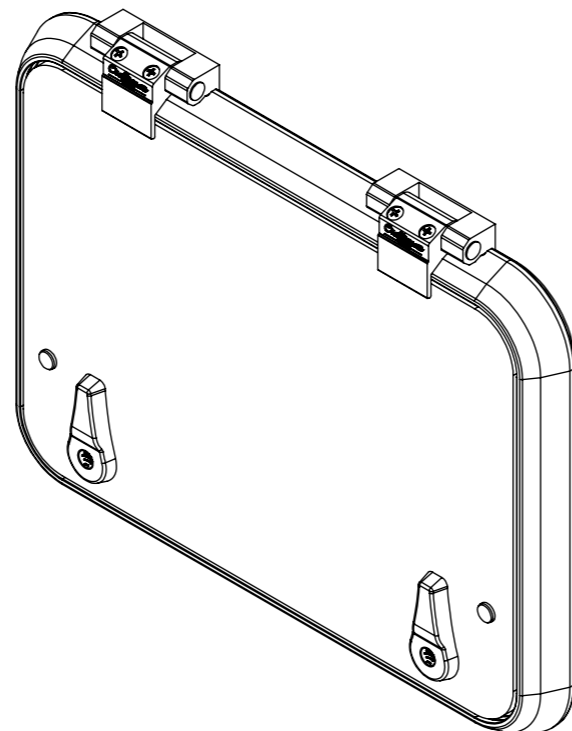
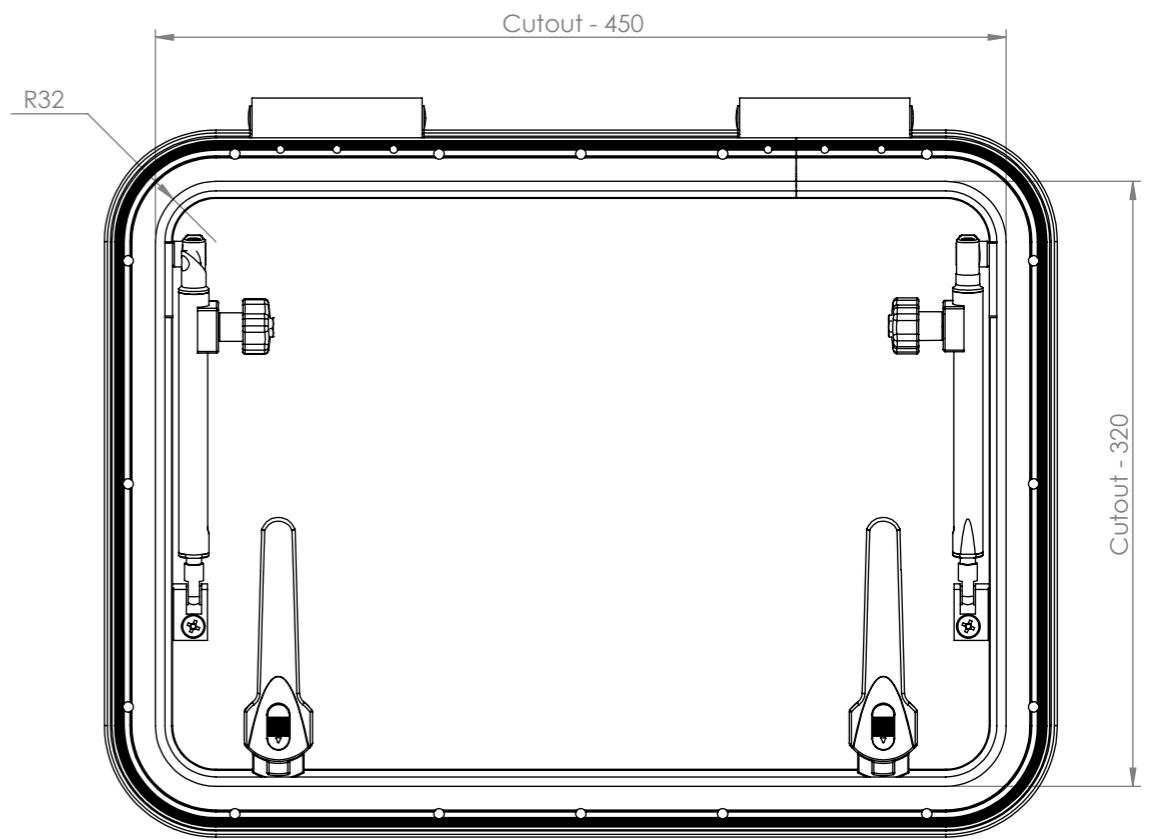


Dimension including Mosquito screen



Note : Dimension Tolerance $\pm 2\text{mm}$

| Surface Finish | | | | | |
|------------------------|-----------------------|------------------------|-------------------------|-----------|----------------------------------|
| Ra Value μm | 0.012 / 0.025 | 0.05 / 0.1 | 0.2 / 0.4 | 0.8 / 1.6 | 3.2 / 6.3 / 12.5 / 25 / 50 / 100 |
| | 120 to 315: ± 0.5 | 315 to 1000: ± 0.8 | 1000 to 2000: ± 1.2 | | |
| | 0 to 6 : ± 0.1 | 6 to 30 : ± 0.2 | 30 to 120 : ± 0.3 | | |

General Tolerances where not specified

| Date | Revision | Description | Initials |
|------|----------|--|-------------------------------------|
| | | Description Assembly SIRIUS - 450x320 R-32 | Dwg.no. FB.010.20030 |
| | | Material: | Heat Treatment: |
| | | | Weight: gms/Unit |
| | | Scale: N.T.S | Proj.: Date: 06/08/09 |
| | | Drawn: R.Shankar | Checked: |
| | | Size: A3L | Dim. in: mm |
| | | Product group: Craftsman Marine | Sheet: 1 of: 1 |



Craftsman
MARINE

Visersdijk beneden 70, 3319GV Dordrecht, The Netherlands. Tel: +31 (0)88 0062600, Fax: +31 (0)88 0062601 - info@craftsmanmarine.com - www.craftsmanmarine.com
This drawing is the property of Craftsman Marine B.V., Dordrecht. Copyright reserved acc. law. It is not to be copied (in whole or in part) or otherwise disclosed without the written consent of Craftsman Marine B.V.