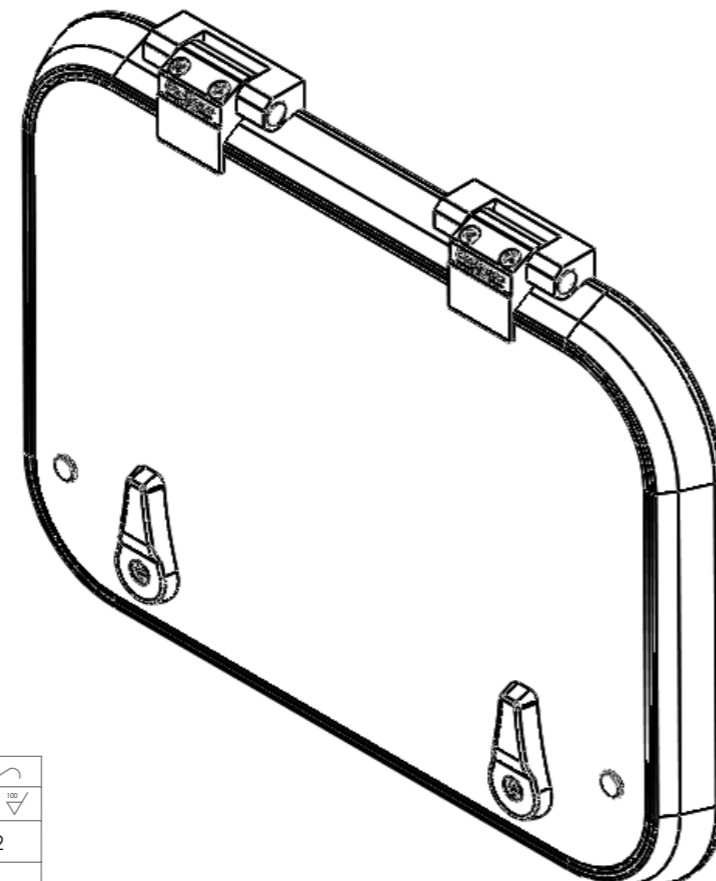


Dimension including Mosquito Screen



Note : Dimension Tolerance  $\pm 2$ mm

Surface Finish					
Ra Value $\mu\text{m}$	0.012 / 0.025	0.05 / 0.1	0.2 / 0.4	0.8 / 1.6	3.2 / 6.3 / 12.5 / 25 / 50 / 100
120 to 315: $\pm 0.5$	315 to 1000: $\pm 0.8$		1000 to 2000: $\pm 1.2$		
0 to 6 : $\pm 0.1$	6 to 30 : $\pm 0.2$		30 to 120 : $\pm 0.3$		
General Tolerances where not specified					

Date	Revision	Description	Initials
		<b>Assembly Sirius 450x320-R55</b>	
Description			Dwg.no.
			FB.010.20035
Material:	Heat Treatment:	Weight: gms/Unit	
Scale: N.T.S	Proj.:	Date: 17/08/09	
Drawn: R.Shankar	Checked:	Size: A3L	Dim. in: mm
Product group: Craftsman Marine	Sheet: 1	of: 1	