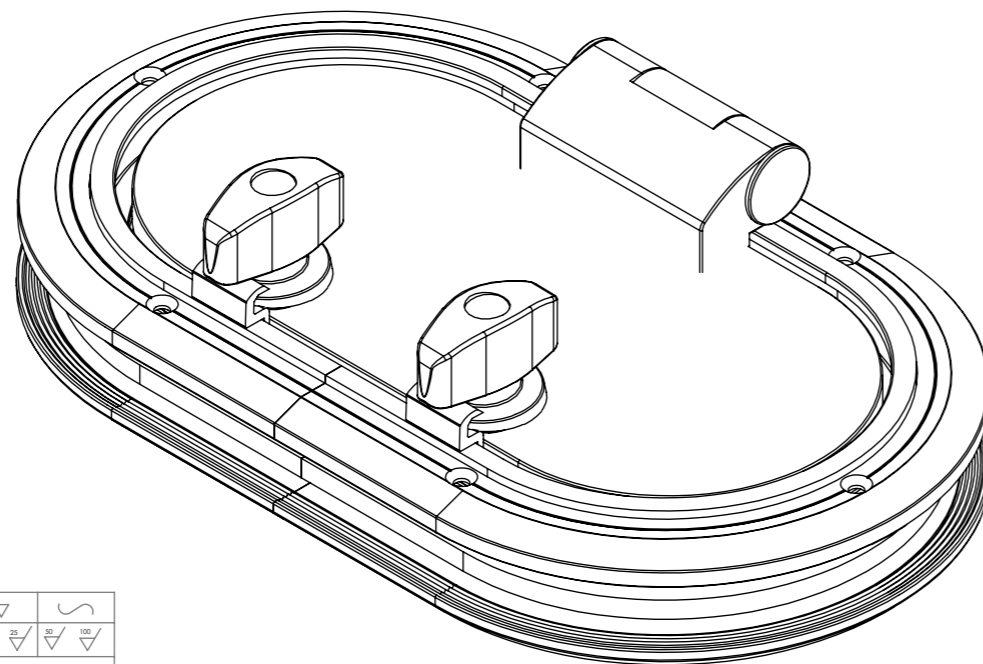
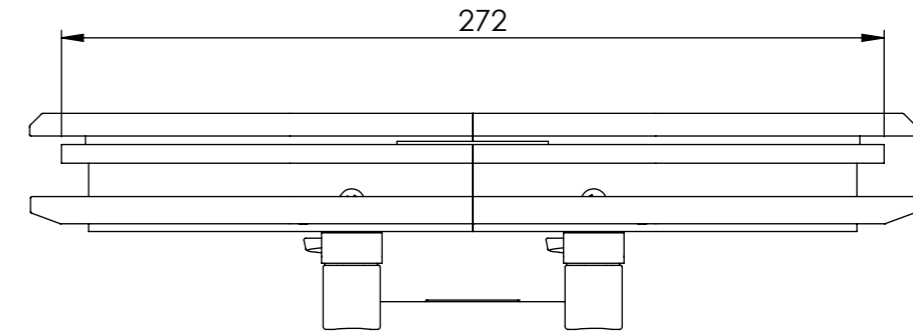
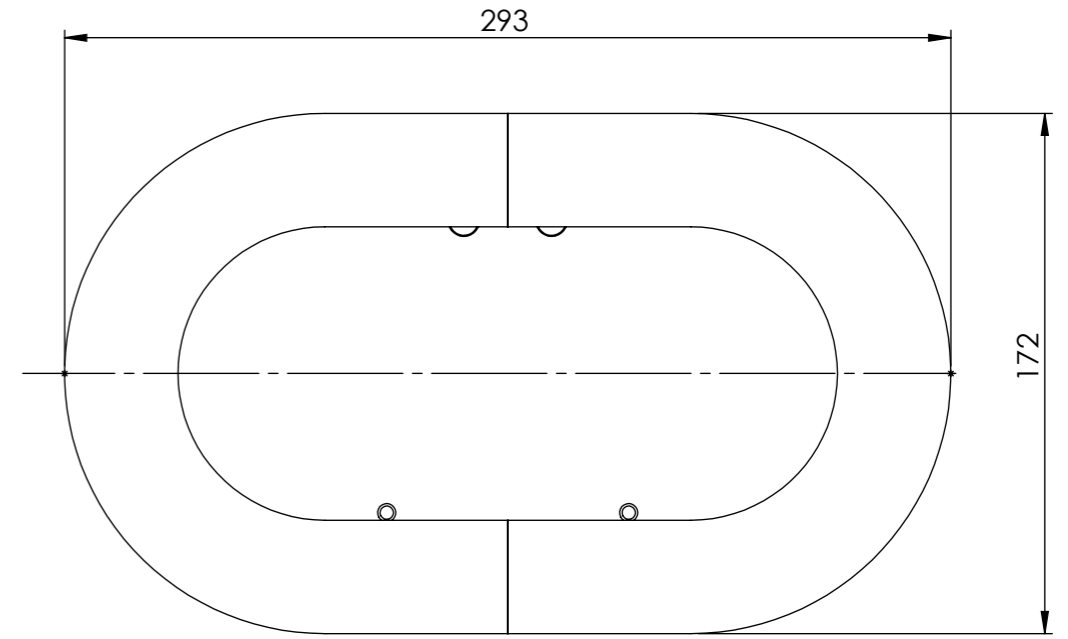
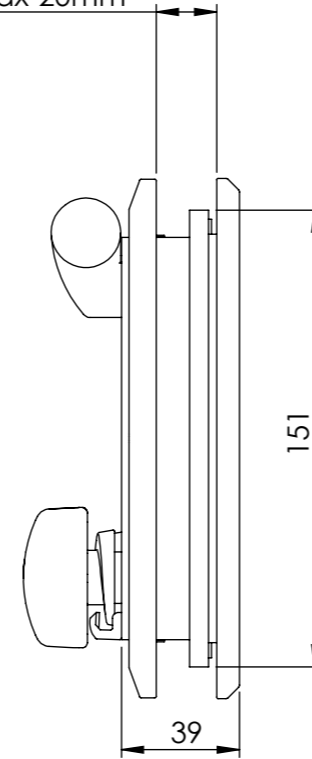
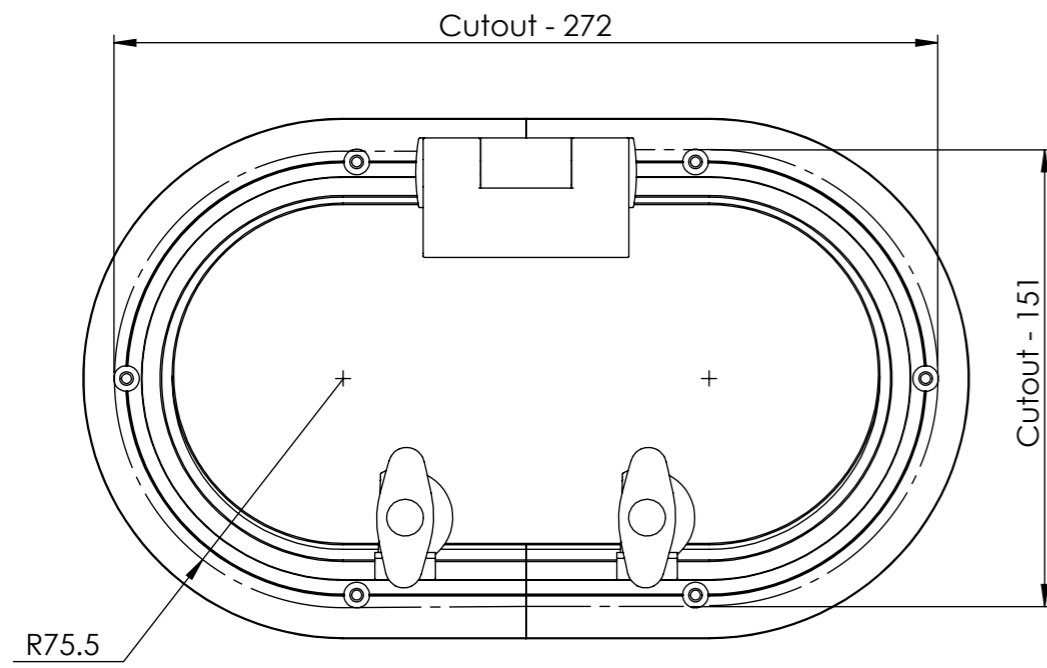


Wall Thickness Min-3mm to Max-20mm



Surface Finish	▽▽▽▽	▽▽▽	▽▽	▽	~
Ra Value μm	0.012 / 0.025 / 0.05 / 0.1 / 0.2	0.4 / 0.8	1.6 / 3.2 / 6.3	12.5 / 25	50 / 100
120 to 315:±0.5	315 to 1000:±0.8	1000 to 2000:±1.2			
0 to 6 :±0.1	6 to 30 :±0.2	30 to 120 :±0.3			

General Tolerances where not specified

Date	Revision	Description	Initials

<b>Description</b>	<b>Initials</b>
Main Frame Assembly 272x151	FA.010.20020.01



Material:	Heat Treatment:	<b>Weight:</b> gms/Unit
-----------	-----------------	----------------------------

Scale: N.T.S	Proj.:	Date: 05-08-09
--------------	--------	----------------

Drawn:Shankar.R	Checked:Chandru.D	Size: <b>A3L</b>	Dim. in: mm
-----------------	-------------------	------------------	-------------

Product group: CRAFTSMAN MARINE	Sheet: <b>1</b>	of: <b>1</b>
---------------------------------	-----------------	--------------

**Craftsman**  
MARINE

Visersdijk beneden 70, 3319GVV Dordrecht, The Netherlands. Tel: +31 (0)88 0062600, Fax: +31 (0)88 0062601 - info@craftsmanmarine.com - www.craftsmanmarine.com  
This drawing is the property of Craftsman Marine B.V., Dordrecht. Copyright reserved acc. law. It is not to be copied (in whole or in part) or otherwise disclosed without the written consent of Craftsman Marine B.V.