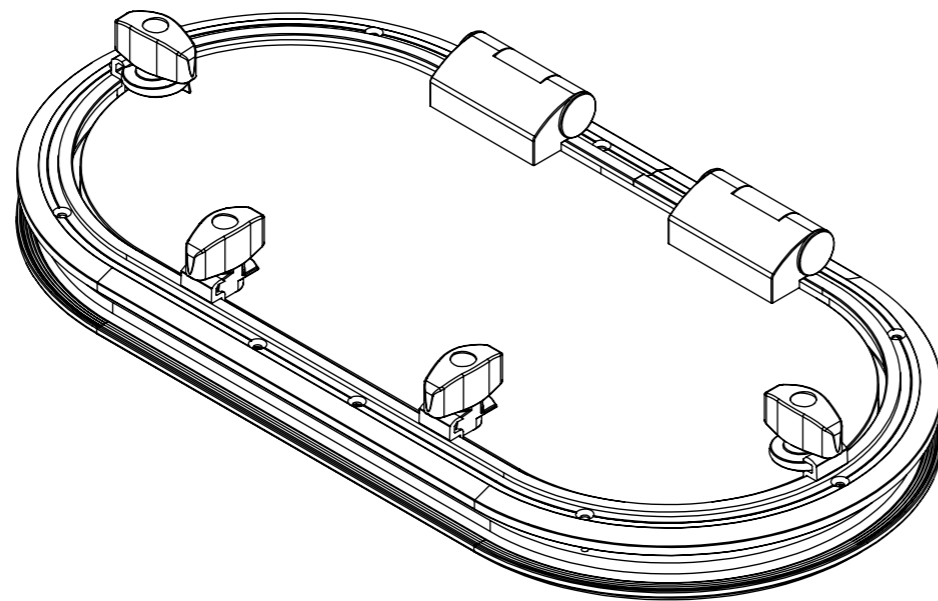
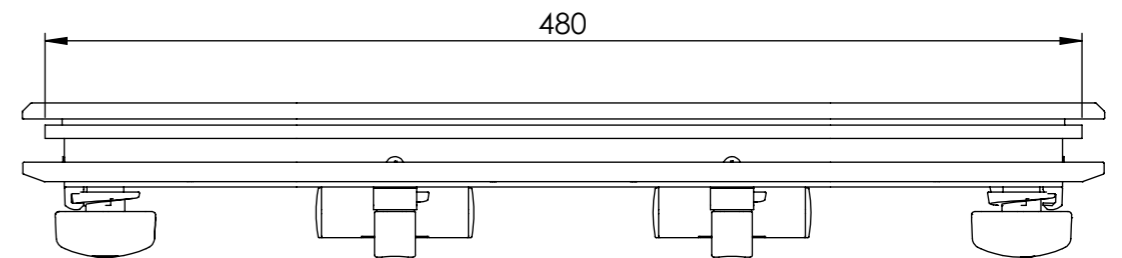
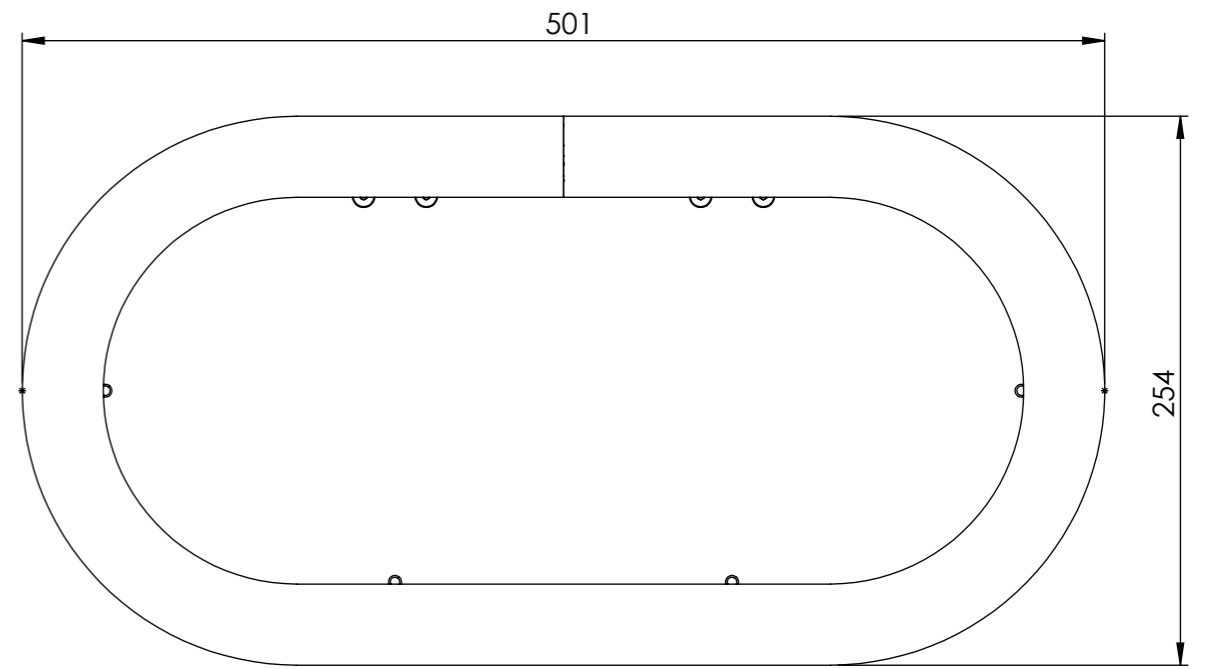
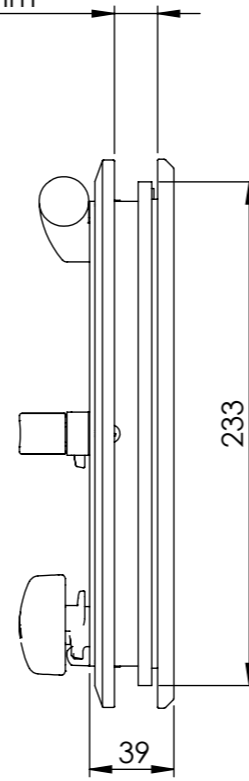
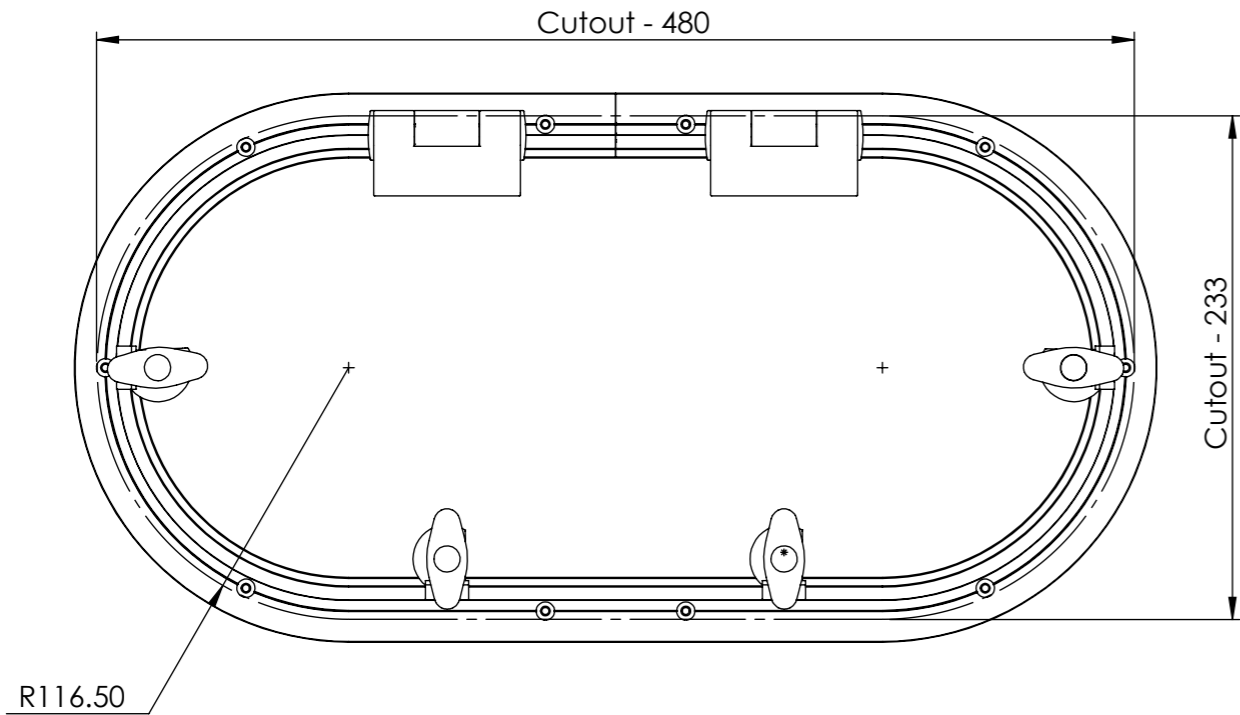


Wall Thickness Min-3mm to Max-20mm



Surface Finish	▽▽▽▽	▽▽▽	▽▽	▽	~
Ra Value μm	0.012 / 0.025 / 0.05 / 0.1 / 0.2	0.4 / 0.8	1.6 / 3.2 / 6.3	12.5 / 25	50 / 100
120 to 315:±0.5	315 to 1000:±0.8		1000 to 2000:±1.2		
0 to 6 :±0.1	6 to 30 :±0.2		30 to 120 :±0.3		

General Tolerances where not specified

Date	Revision	Description	Initials
		Description Main Frame Assembly 480x233	Dwg.no. FA.010.20060.01



Material:	Heat Treatment:	Weight: gms/Unit
-----------	-----------------	-------------------------

Scale: N.T.S	Proj.:	Date: 10-08-09
--------------	--------	----------------

Drawn: Shankar.R	Checked:	Size: A3L	Dim. in: mm
------------------	----------	------------------	-------------

Product group: CRAFTSMAN MARINE	Sheet: 1	of: 1
---------------------------------	-----------------	--------------

Craftsman
MARINE