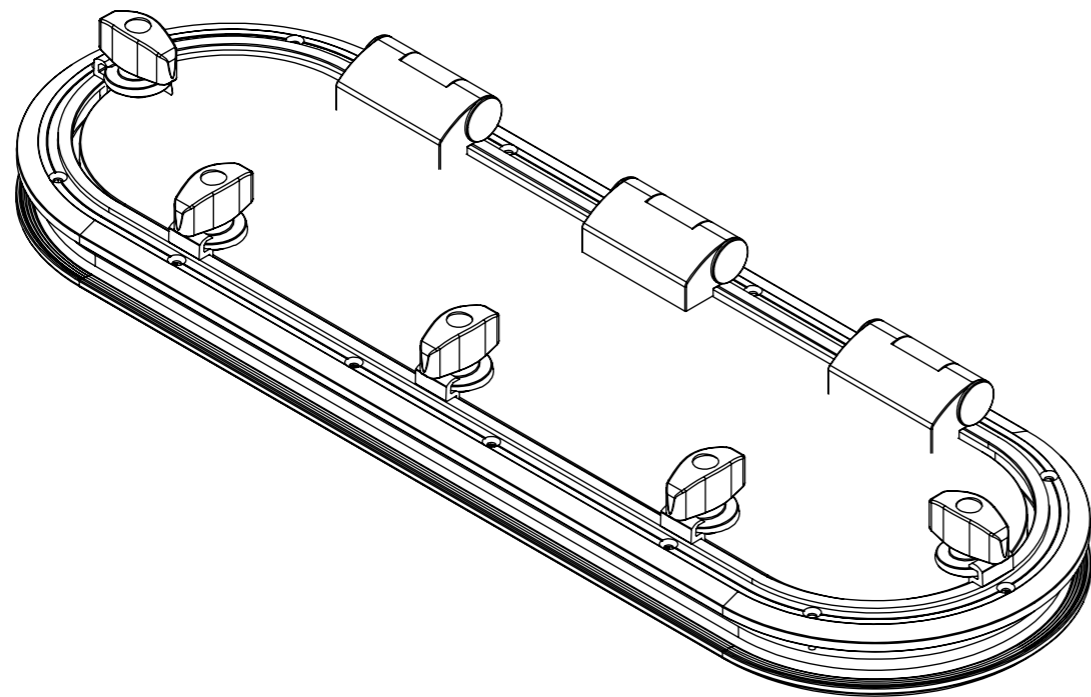
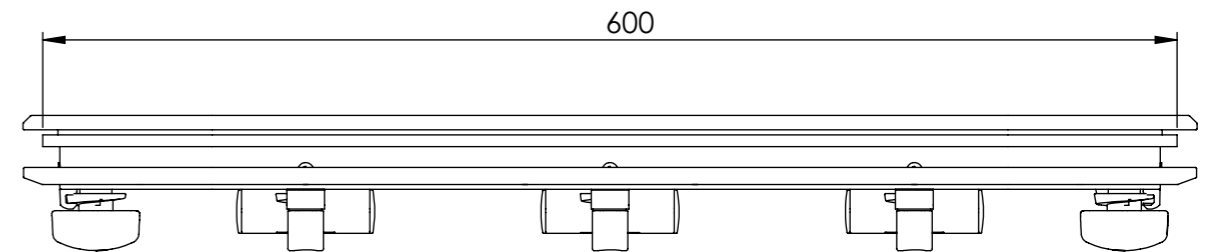
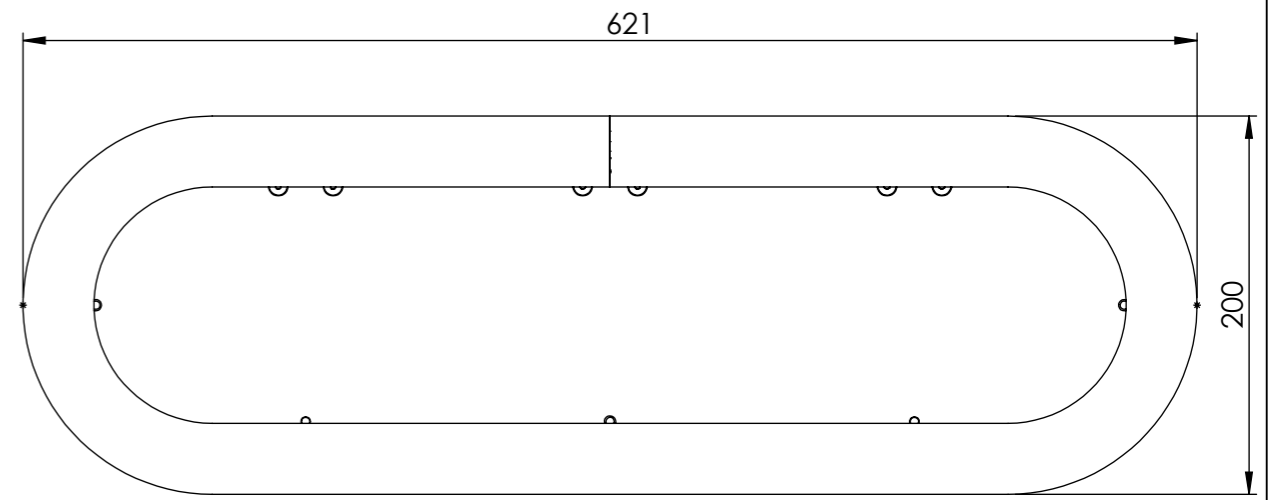
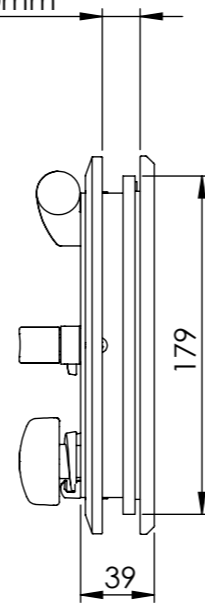
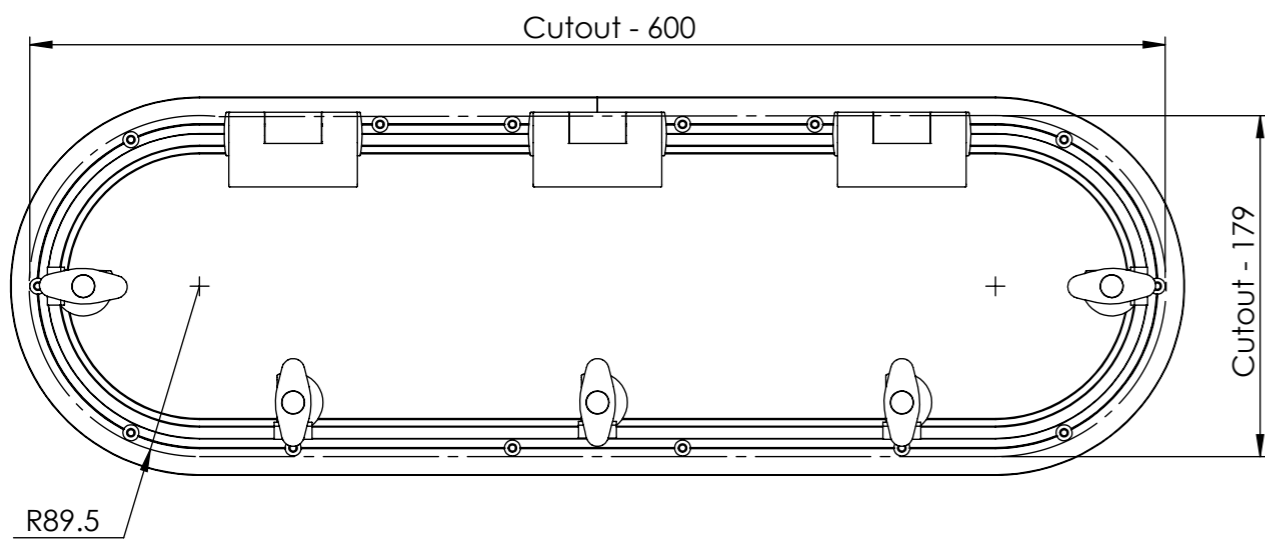


Wall Thickness Min-3mm to Max-20mm



Surface Finish					
Ra Value μm	0.012 / 0.025 / 0.05 / 0.1 / 0.2	0.4 / 0.8	1.6 / 3.2 / 6.3	12.5 / 25	50 / 100
	120 to 315:±0.5	315 to 1000:±0.8	1000 to 2000:±1.2		
	0 to 6 :±0.1	6 to 30 :±0.2	30 to 120 :±0.3		

General Tolerances where not specified

Date	Revision	Description	Initials
------	----------	-------------	----------

Description	Main Frame Assembly 600x179	Dwg.no.	FA.010.20070.01
--------------------	-----------------------------	----------------	-----------------



Material: _____ Heat Treatment: _____ **Weight:** gms/Unit

Scale: **N.T.S** Proj.: Date: **10-08-09**

Drawn:Shankar.R Checked:Chandru.D Size: **A3L** Dim. in: mm

Product group: **CRAFTSMAN MARINE** Sheet: **1** of: **1**

Craftsman
MARINE

Vissersdijk beneden 70, 3319GV Dordrecht, The Netherlands. Tel: +31 (0)88 0062600, Fax: +31 (0)88 0062601 - info@craftsmanmarine.com - www.craftsmanmarine.com
This drawing is the property of Craftsman Marine B.V., Dordrecht. Copyright reserved acc. law. It is not to be copied (in whole or in part) or otherwise disclosed without the written consent of Craftsman Marine B.V.