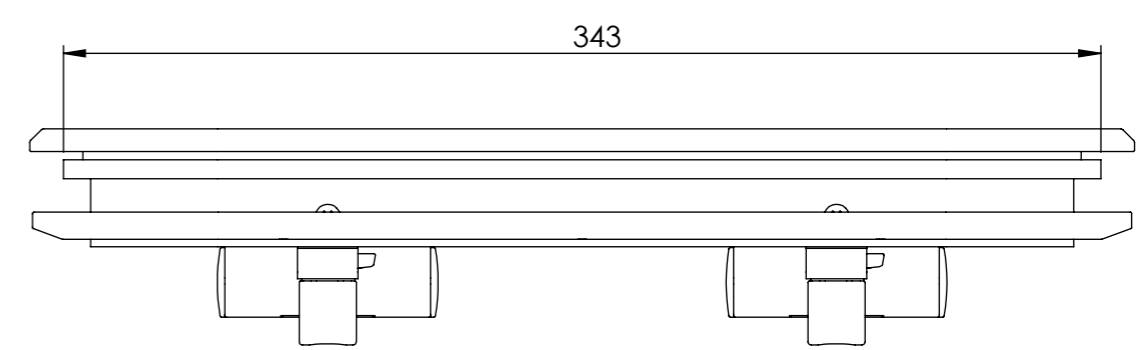
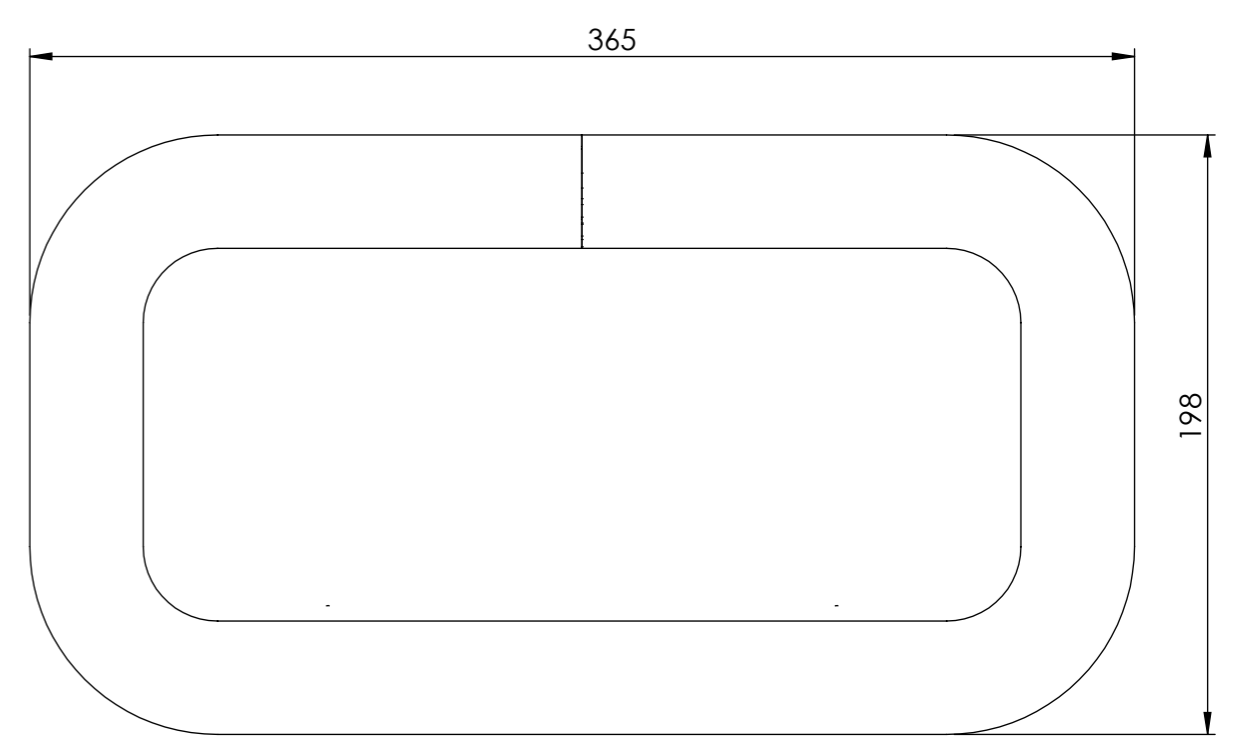
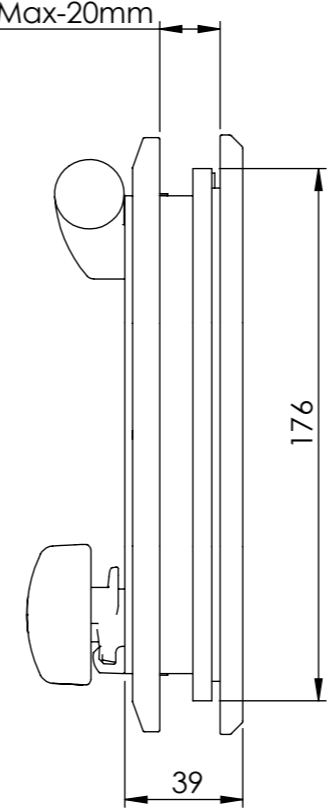
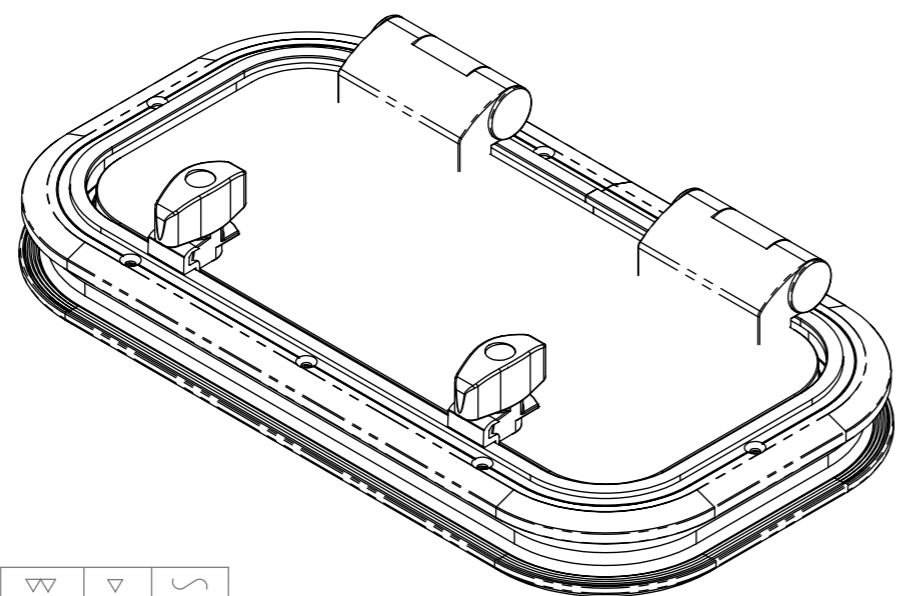


Wall Thickness Min-3mm to Max-20mm



R50.5



Surface Finish	▽▽▽▽	▽▽▽	▽▽	▽	~
Ra Value μm	0.012 / 0.025 / 0.05 / 0.1 / 0.2	0.4 / 0.8	1.6 / 3.2 / 6.3	12.5 / 25	50 / 100
120 to 315:±0.5	315 to 1000:±0.8		1000 to 2000:±1.2		
0 to 6 :±0.1	6 to 30 :±0.2		30 to 120 :±0.3		
General Tolerances where not specified					

Date	Revision	Description	Initials
<b>Description</b> Main Frame Assembly 343x176			Dwg.no. FA.020.20110.01
Material:		Heat Treatment:	<b>Weight:</b> gms/Unit
Scale: N.T.S	Proj.:	Date: 12-08-09	
Drawn:Shankar.R	Checked:Chandru.D	Size: <b>A3L</b>	Dim. in: mm
Product group: CRAFTSMAN MARIE		Sheet: <b>1</b>	of: <b>1</b>



**Craftsman**  
MARINE

Visserdijk beneden 70, 3319GV Dordrecht, The Netherlands. Tel: +31 (0)88 0062600, Fax: +31 (0)88 0062601 - info@craftsmanmarine.com - www.craftsmanmarine.com  
This drawing is the property of Craftsman Marine B.V., Dordrecht. Copyright reserved acc. law. It is not to be copied (in whole or in part) or otherwise disclosed without the written consent of Craftsman Marine B.V.