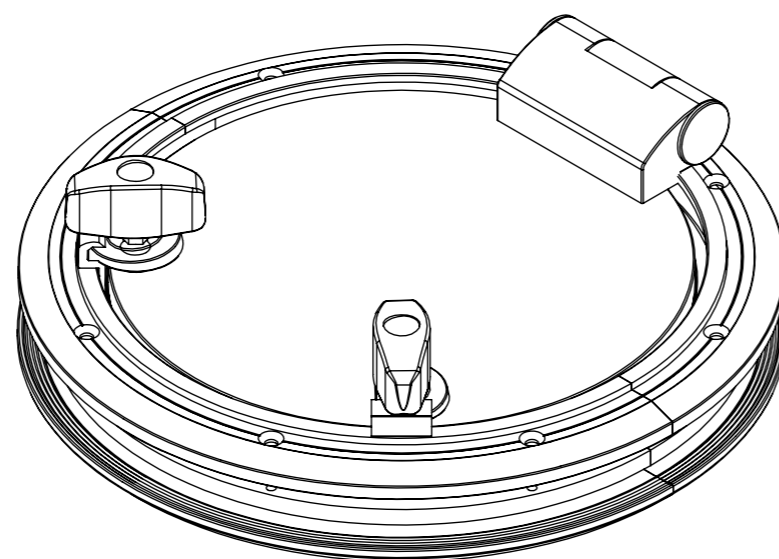
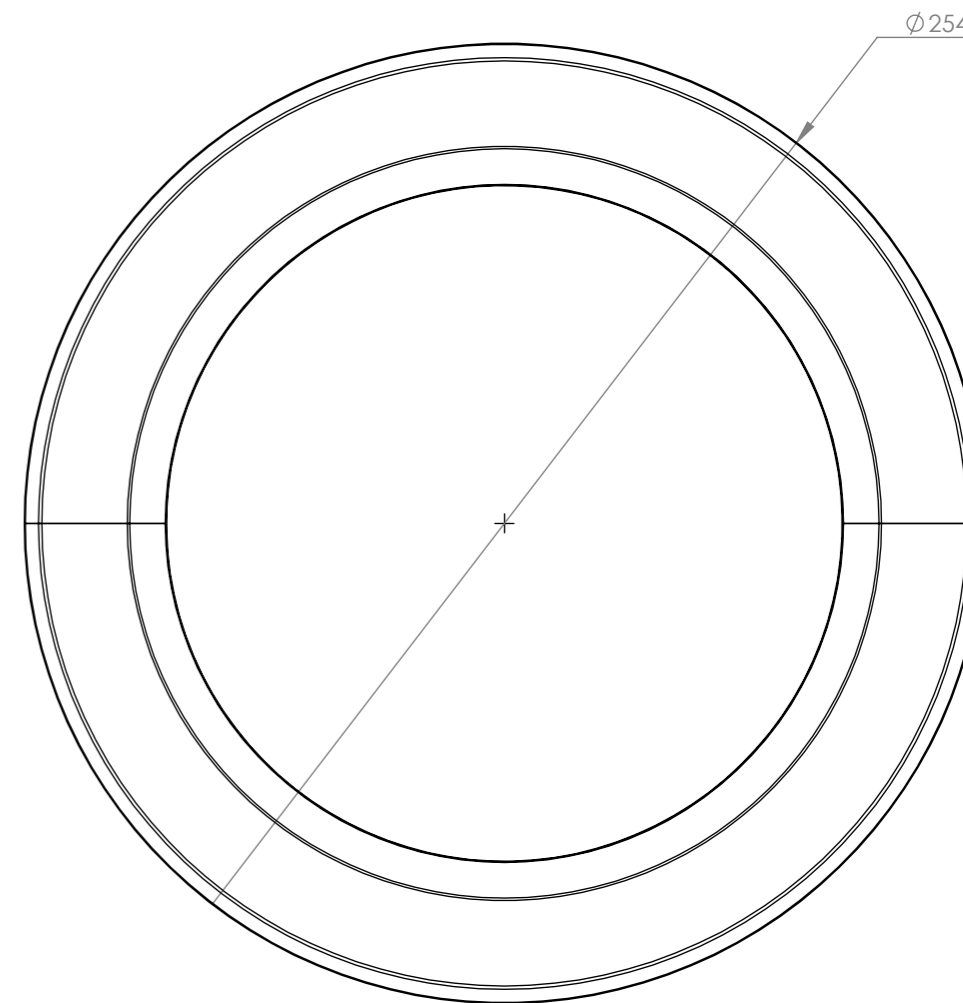
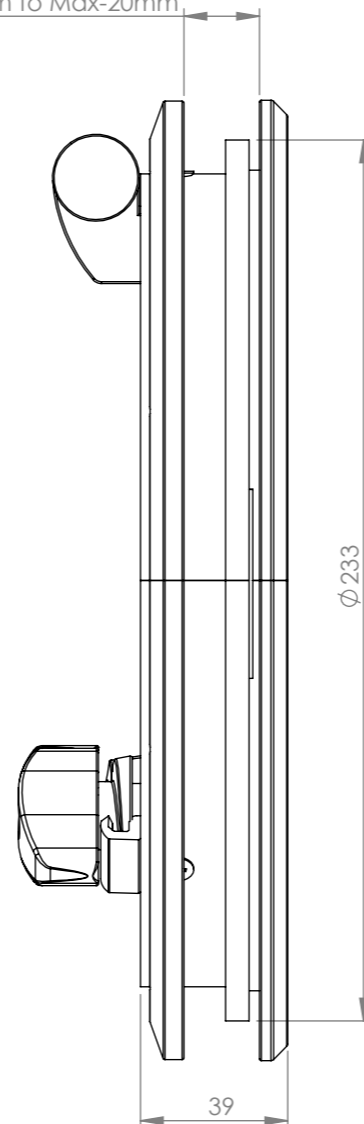


Wall Thickness Min-3mm to Max-20mm

Cutout - Ø233



Surface Finish	▽▽▽▽	▽▽▽	▽▽	▽	~
Ra Value µm	0.012 / 0.025 / 0.05 / 0.1 / 0.2	0.4 / 0.8	1.6 / 3.2 / 6.3	12.5 / 25	50 / 100
120 to 315:±0.5	315 to 1000:±0.8	1000 to 2000:±1.2			
0 to 6 :±0.1	6 to 30 :±0.2	30 to 120 :±0.3			

General Tolerances where not specified

Date	Revision	Description	Initials
------	----------	-------------	----------

Description	Main Frame Assembly Ø233	Dwg.no.	FA.030.20190.01
--------------------	--------------------------	----------------	-----------------



Material:	Heat Treatment:	Weight:	gms/Unit
------------------	------------------------	----------------	----------

Scale:	N.T.S	Proj.:	⊕ ⊞ ⊞	Date:	14.08.2009
---------------	-------	---------------	-------	--------------	------------

Drawn:	Shankar.R	Checked:	Chandru.D	Size:	A3L	Dim. in:	mm
---------------	-----------	-----------------	-----------	--------------	-----	-----------------	----

Product group:	CRAFTSMAN MARINE	Sheet:	1	of:	1
-----------------------	------------------	---------------	---	------------	---

Craftsman
MARINE

Visserdijk beneden 70, 3319GVV Dordrecht, The Netherlands. Tel: +31 (0)88 0062600, Fax: +31 (0)88 0062601 - info@craftsmanmarine.com - www.craftsmanmarine.com
This drawing is the property of Craftsman Marine B.V., Dordrecht. Copyright reserved acc. law. It is not to be copied (in whole or in part) or otherwise disclosed without the written consent of Craftsman Marine B.V.