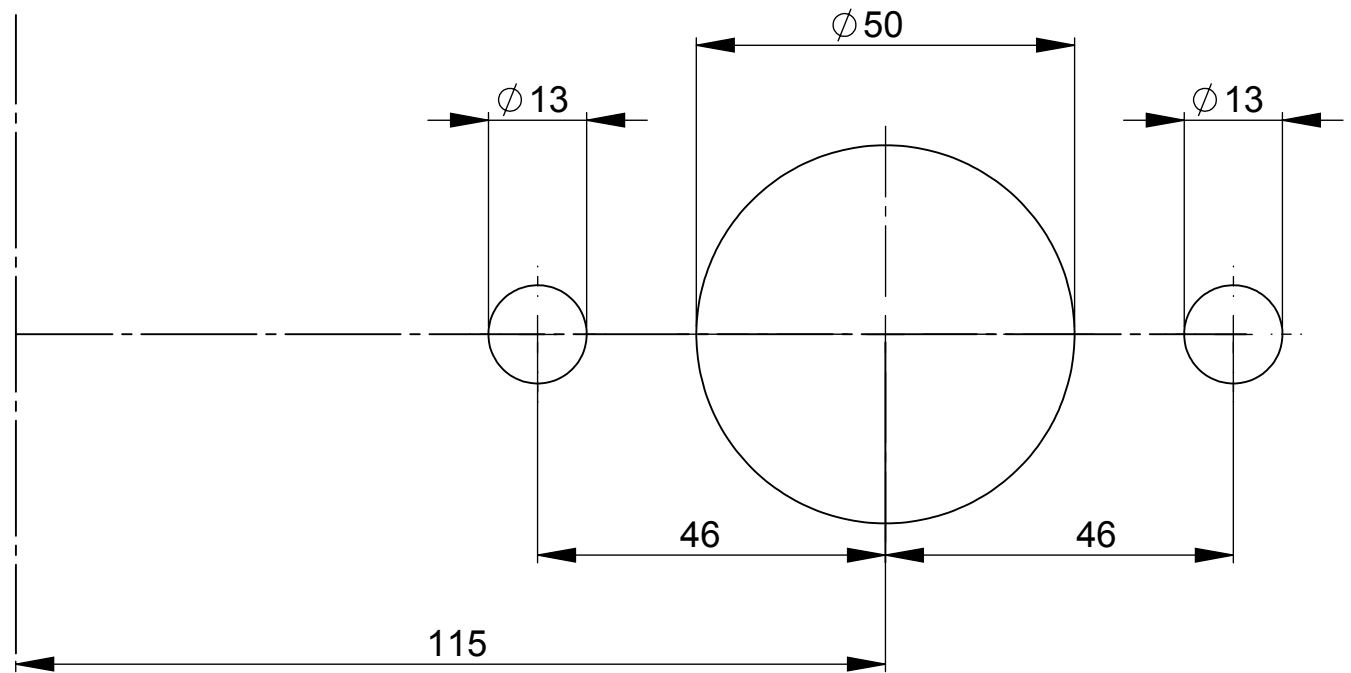


CL boat =  
CL propeller



Date	Revision	Initials
Description <b>Drill patern for thruster 125, 150, 170 kgf</b>		Dwg.no. drill patern thruster 125-150-170
Material:	Weight:	
Scale: <b>1:1</b>	Proj.:	Date: <b>13-09-2010</b>
Drawn: <b>D.C.</b>	Checked:	Size: <b>A4</b> Dim. in: mm
Product group: <b>Manoeuvring</b>	Sheet: <b>1</b>	of: <b>1</b>



**Craftsman**  
MARINE

Visserdijk beneden 70, 3319GW Dordrecht, The Netherlands. Tel: +31 (0)88 0062600, Fax: +31 (0)88 0062601 - info@craftsmanmarine.com - www.craftsmanmarine.com

This drawing is the property of Craftsman Marine B.V., Dordrecht. Copyright reserved acc. law. It is not to be copied (in whole or in part) or otherwise disclosed without the written consent of Craftsman Marine B.V.